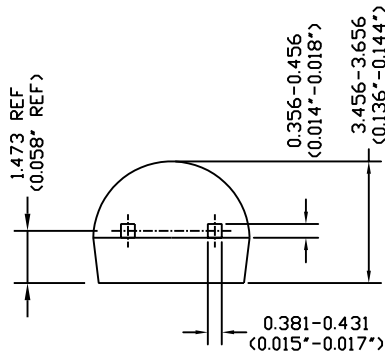
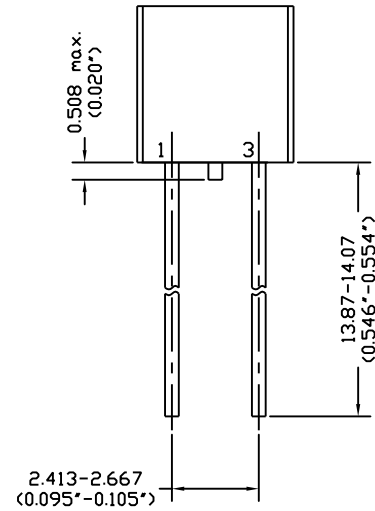
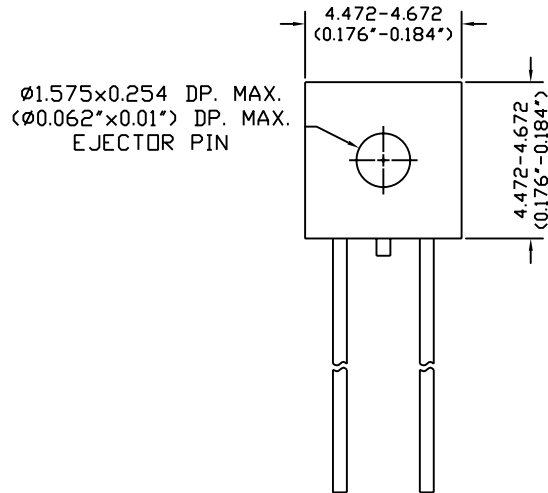



REV	DESCRIPTION	DATE
A	ORIGINAL ISSUE	SEP 28'01



NOTES :

1. CONTROLLING DIMENSION : MILLIMETER. CONVERTED INCH DIMENSION ARE NOT NECESSARILY EXACT.
2. DIMENSIONING AND TOLERANCING PER ANSI Y14.5, 1973.

	DRAWN BY: PICHEST	TITLE: 2LD TO-92 PACKAGE OUTLINE DRAWING	
	CHECKED BY: NATAPORN	DATE : SEP 28'01	REF. NO. : JEDEC TO-226"AC"
	APPROVED BY: THANAPONG	DWG. NO. G002PD-01	SCALE : NOT TO SCALE
	APPROVED BY: TOM	REV. A	SHEET 1 OF 1