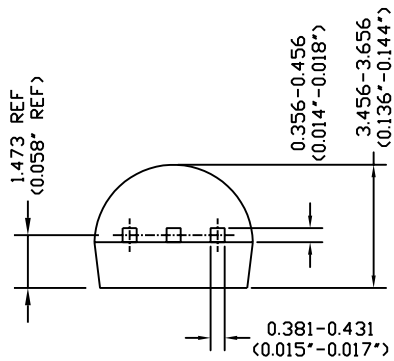
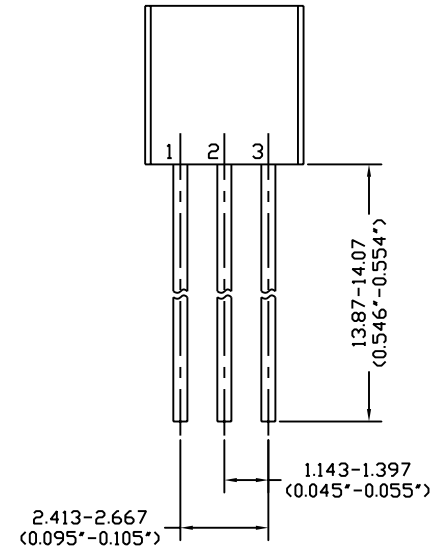
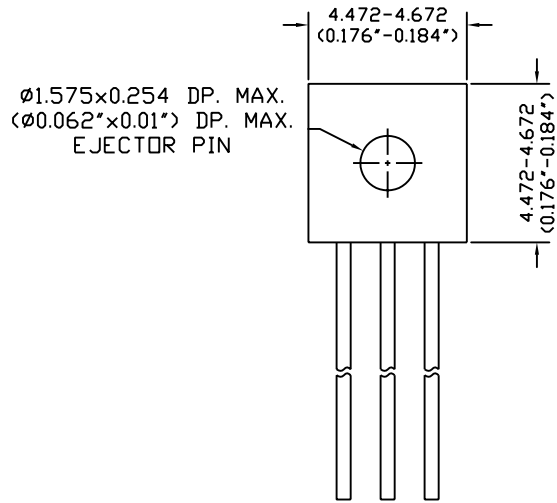


REV	DESCRIPTION	DATE
A	ORIGINAL ISSUE	SEP 28'01



NOTES :

1. CONTROLLING DIMENSION : MILLIMETER. CONVERTED INCH DIMENSION ARE NOT NECESSARILY EXACT.
2. DIMENSIONING AND TOLERANCING PER ANSI Y14.5, 1973.



DRAWN BY:
 PICHEST
 CHECKED BY:
 NATAPORN
 APPROVED BY:
 THANAPONG
 APPROVED BY:
 TOM

TITLE:
 3LD TO-92 PACKAGE OUTLINE DRAWING

DATE : SEP 28'01	REF. NO. : JEDEC TO-226"AA"	SCALE : NOT TO SCALE
DWG. NO. G003P0-01	REV. A	SHEET 1 OF 1